



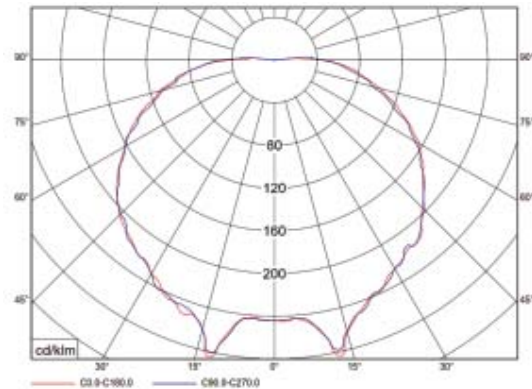
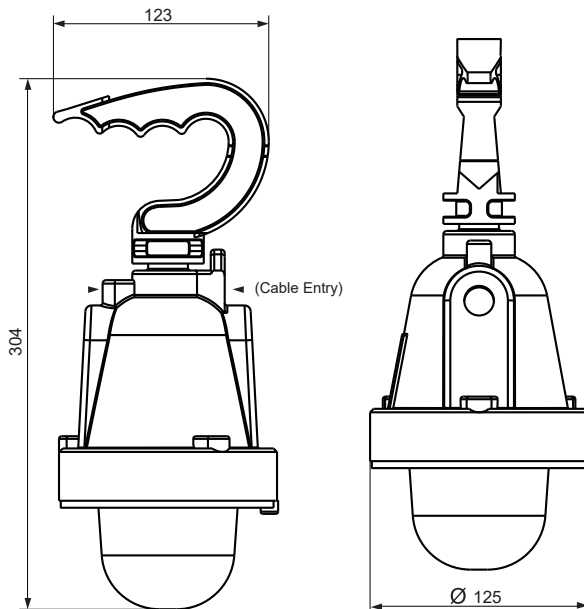
# HAND LAMP with LED



Zone 1,2,21,22

## TECHNICAL DATA

TYPE	PHL : without hanger PHL1: with hanger PHLL: LED version with hanger
Marking to 94/9/EC	⊕ II 2 G D
Type of protection	Ex d IIB T6
Enclosure material (Handel/Body)	Aluminum alloy / Copper free aluminum as an option
Lamp protector	Polycarbonate
Ingress protection	IP66
Permissible ambient temperature	-30°C to +55°C / -20°C to +40°C
Entries	2 x M20
Rated voltage	180 ~ 260VAC - 24/48 VAC or DC
Color	White(457.5 nm)
Luminous Flux	685 Lm
Weight	1.5 Kg
Input Power	PHL:60w    PHLL:10w



article code  
Mashin Sazi Shomal Pruz Co.

lamp(s)  
1 x LED  
total flux  
683 lm  
LOR  
100 %  
st angle  
0.0 °

file  
MASHINSAZI\_L

